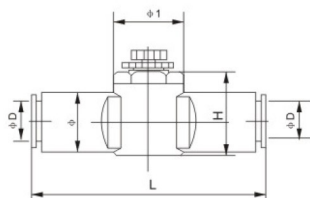
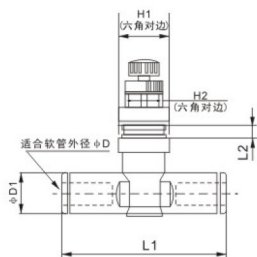


管道型调节接头：AS1F**


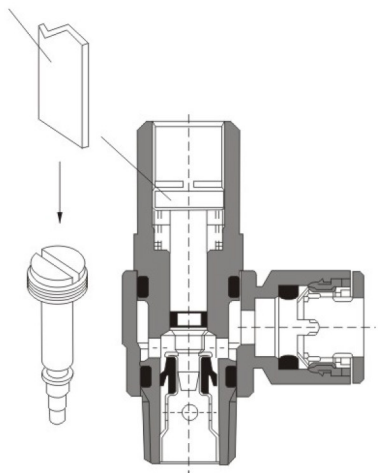
| 气管 ϕD | 型号 | L | H | $\phi 1$ | ϕ |
|----------------|------------|------|------|----------|--------|
| $\phi 4$ | AS1001F-04 | 39.2 | 14.8 | 10.2 | 9.6 |
| | AS2001F-04 | 40.3 | 20 | 12 | |
| $\phi 6$ | AS1001F-06 | 40.7 | 15.7 | 10.2 | 11.8 |
| | AS2001F-06 | 45.2 | 21 | 12 | |
| | AS2051F-06 | 53.3 | 22.3 | 15.1 | 13 |
| | AS3001F-06 | 60.2 | 24.4 | 20.3 | |
| $\phi 8$ | AS2051F-08 | 60.8 | 19.8 | 15.1 | 15.6 |
| | AS3001F-08 | 65 | 25.3 | 20.4 | |
| $\phi 10$ | AS3001F-10 | 71 | 26.6 | 20.4 | 19 |
| | AS4001F-10 | 77 | 31.2 | 18.5 | |
| $\phi 12$ | AS3001F-12 | 76.2 | 32.5 | 20.3 | 21.4 |
| | AS4001F-12 | 82 | 32.2 | 27.3 | |

* 脱离环可选颜色：灰、橘红、黑，塑壳体可选颜色：灰、黑。

隔板安装式速度控制阀：AS*1F-3**


| 气管 ϕD | 型号 | D1 | H1 | H2 | L1 | L2 最大 |
|----------------|--------------|------|----|----|------|----------|
| $\phi 4$ | AS1001F-04-3 | 9.3 | 12 | 8 | 39.2 | 3.5 |
| | AS2001F-04-3 | 9.3 | 14 | 10 | 40.7 | 3.5 |
| $\phi 6$ | AS1001F-06-3 | 11.6 | 12 | 8 | 40.7 | 3.5 |
| | AS2001F-06-3 | 11.6 | 14 | 10 | 44.8 | 3.5 |
| | AS2051F-06-3 | 12.8 | 17 | 13 | 53.2 | 3.5 |
| | AS3001F-06-3 | 12.8 | 17 | 13 | 59 | 3.5 |
| $\phi 8$ | AS2051F-08-3 | 15.2 | 17 | 13 | 59.8 | 3.5 |
| | AS3001F-08-3 | 15.2 | 17 | 13 | 64.4 | 3.5 |
| $\phi 10$ | AS3001F-10-3 | 18.5 | 21 | 16 | 71.6 | 3.5 |
| | AS3001F-12-3 | 20.9 | 21 | 16 | 76 | 3.5 |

* 脱离环可选颜色：灰、橘红、黑，塑壳体可选颜色：灰、黑。

调速阀/用螺丝刀调节：AS*01F-D**


| 螺纹 气管 | 1/8" | 1/4" | 3/8" | 1/2" |
|-----------|------------------|------------------|------------------|------------------|
| $\phi 4$ | AS2201F-01-04S-D | AS2201F-02-04S-D | | |
| $\phi 6$ | AS2201F-01-06S-D | AS2201F-02-06S-D | AS3201F-03-06S-D | |
| $\phi 8$ | AS2201F-01-08S-D | AS2201F-02-08S-D | AS3201F-03-08S-D | |
| $\phi 10$ | AS2201F-01-10S-D | AS2201F-02-10S-D | AS3201F-03-10S-D | AS4201F-04-10S-D |
| $\phi 12$ | | | AS3201F-03-12S-D | AS4201F-04-12S-D |